

Central Control Station

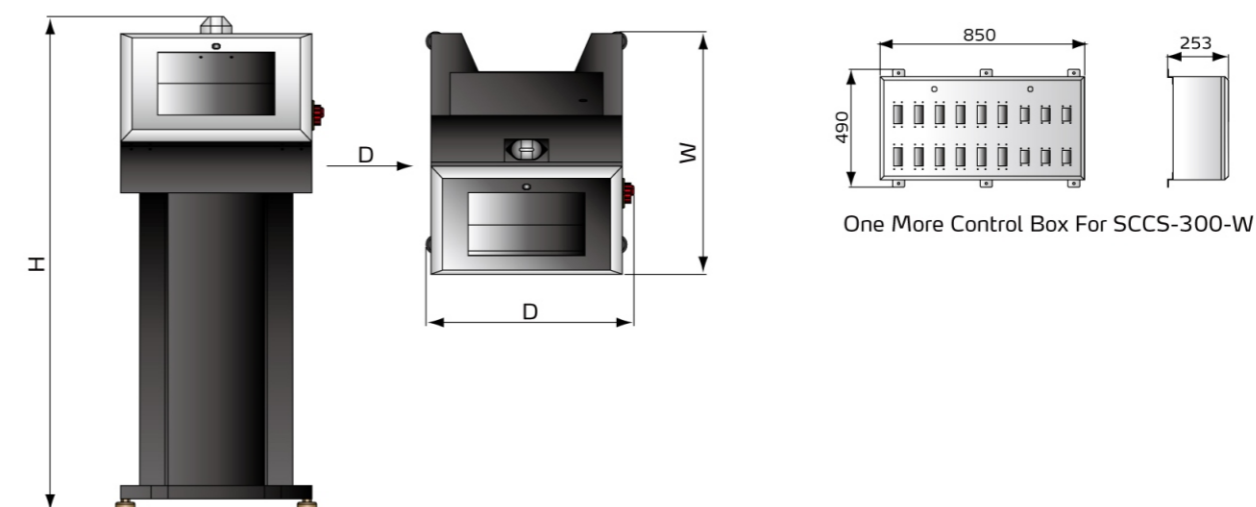
SCCS



Application

SCCS series German made SIEMENS PLC controller with best design and powerful functions, it can efficiently control the system of dust cleaning, material conveying, alarming etc. The system has strong compatibility, which can support up to maximum 36 moulding machines. Easy maintenance and highly reliable so to reduce the maintenance cost. Comply with "CE" standard to ensure safe operation. Easy to operate with humanized operation interface.

Outline Drawings



Specifications

Model	Type of Installation	Standard Control	Power	Dimensions (mm) H×W×D	Weight (kg)
SCCS-100-G	Floor-standing style	12 stations	1Φ/230V	1300 × 650 × 660	35
SCCS-200-G	Floor-standing style	24 stations	1Φ/230V	1300 × 650 × 660	38
SCCS-300-G	Floor-standing style	36 stations	1Φ/230V	1300 × 650 × 660	75

Note: 1) "G" refers to floor-standing style.
2) Control voltage: DC 24V.
3) Power: 1Φ,115/230VAC, 50/60Hz.

We reserve the right to change specifications without prior notice.